

NOTES: UNLESS OTHERWISE SPECIFIED

DIMENSION

1. LASER CUT PATTERN
 - INTERRUPTED SPIRAL CUT PATTERN
 - LASER CUT KERF = 0.0012 ± 0.0003 [0.0254MM]
 - PITCH = 0.015 [0.381MM]
 - CUT ANGLE = 120°
 - UNCUT ANGLE = 24°
 - CPR = 2.5

RAW MATERIAL

2. CUSTOM GAUGE AND TOLERANCING
3. 304 SS, FULL HARD

CLEANING AND PASSIVATION

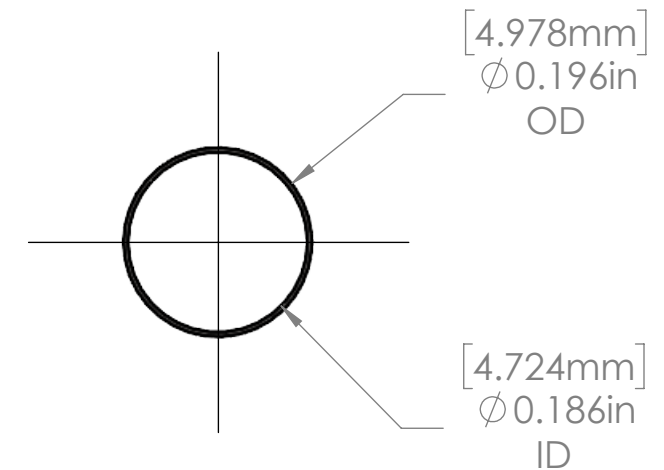
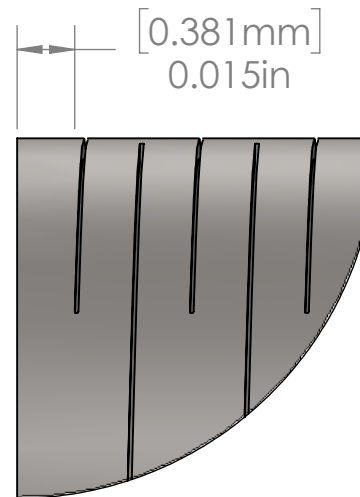
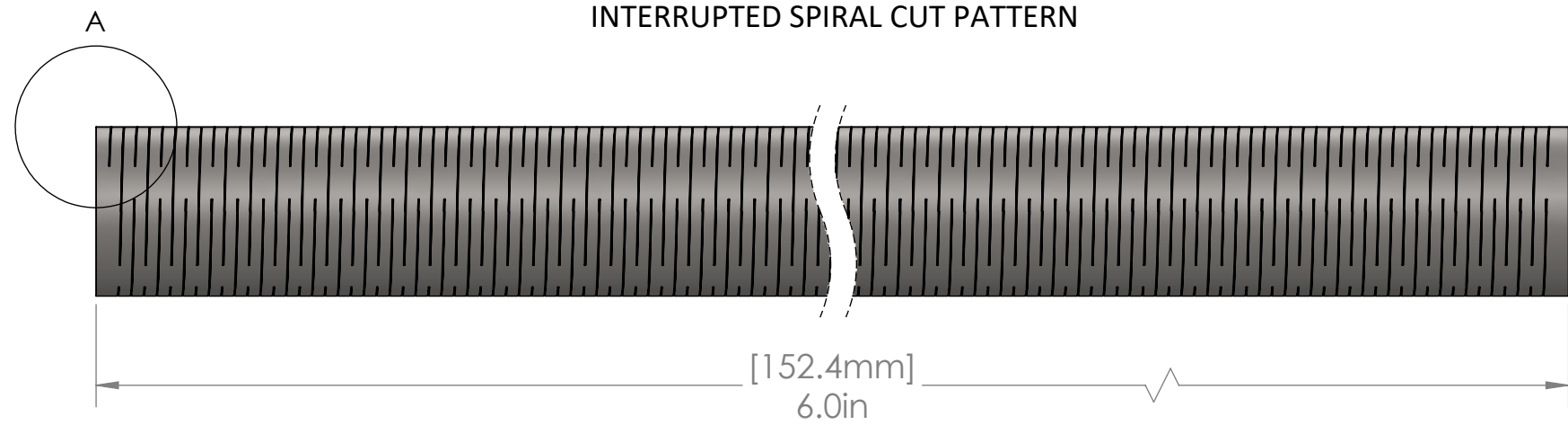
4. PARTS FREE OF OIL, DIRT, CONTAMINATION, ETC.
5. PARTS CLEANED PER ASTM A380
6. PARTS PASSIVATED PER ASTM-A967, NITRIC 2

PACKAGING

7. PARTS PACKAGED IN CLEAR, SEALED BAGS
8. PARTS PACKAGED IN A MANNER THAT PREVENTS DAMAGE DURING SHIPPING
9. BAGS TO BE LABELED WITH FOLLOWING INFORMATION:
 - SUPPLIER NAME
 - SUPPLIER LOT NUMBER
 - SUPPLIER PART NUMBER
 - PART QUANTITY

DOCUMENTATION

10. CERTIFICATION OF CONFORMANCE TO ACCOMPANY EACH SHIPMENT AND SHALL INCLUDE THE FOLLOWING INFORMATION:
 - SUPPLIER NAME
 - SUPPLIER LOT NUMBER
 - SUPPLIER PART NUMBER
 - PART QUANTITY
 - PO NUMBER
 - MATERIAL INFORMATION
 - CONFORMANCE STATEMENT TO DRAWING



DIMENSIONS ARE IN INCHES, UNLESS OTHERWISE SPECIFIED .X ± .1 .XX ± .01 .XXX ± .001 ANGLES: ± 3° INTERPRET PER LATEST ASME Y14.5 MATERIAL: 304 SS	 CONFIDENTIAL AND PROPRIETARY <small>THIS DRAWING CONTAINS CONFIDENTIAL AND PROPRIETARY INFORMATION THAT IS THE SOLE PROPERTY OF SYMMETRY LLC. DISCLOSURE OF SAID INFORMATION DOES NOT CONSTITUTE THE RELEASE OF ANY PROPRIETARY RIGHTS THEREIN</small>	<table border="1" style="width: 100%; border-collapse: collapse;"> <tr> <td colspan="3" style="text-align: center;">15F LCHT - 0.196 x 0.186 - 0.015</td> </tr> <tr> <td colspan="3" style="text-align: center;">Pitch, 120 Cut 24 Uncut (2.5 CPR)</td> </tr> <tr> <td style="width: 10%; text-align: center;">SIZE B</td> <td colspan="2" style="text-align: center;">PART NUMBER: SY-027700</td> </tr> <tr> <td style="text-align: center;">DO NOT SCALE</td> <td style="text-align: center;">SCALE 5:1</td> <td style="text-align: center;">SHEET 1 OF 1</td> </tr> </table>	15F LCHT - 0.196 x 0.186 - 0.015			Pitch, 120 Cut 24 Uncut (2.5 CPR)			SIZE B	PART NUMBER: SY-027700		DO NOT SCALE	SCALE 5:1	SHEET 1 OF 1
15F LCHT - 0.196 x 0.186 - 0.015														
Pitch, 120 Cut 24 Uncut (2.5 CPR)														
SIZE B	PART NUMBER: SY-027700													
DO NOT SCALE	SCALE 5:1	SHEET 1 OF 1												