

NOTES: UNLESS OTHERWISE SPECIFIED

**DIMENSION**

1. LASER CUT PATTERN
  - INTERRUPTED SPIRAL CUT PATTERN
  - LASER CUT KERF =  $0.0012 \pm 0.0003$  [0.0254MM]
  - PITCH = 0.015 [0.381MM]
  - CUT ANGLE = 65°
  - UNCUT ANGLE = 15°
  - CPR = 4.5

**RAW MATERIAL**

2. 3G-XTW STANDARD GAUGE AND TOLERANCING
3. 304 SS, FULL HARD

**CLEANING AND PASSIVATION**

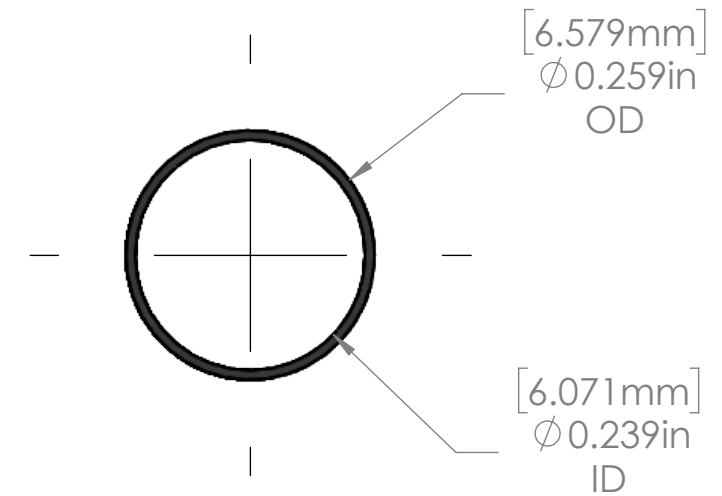
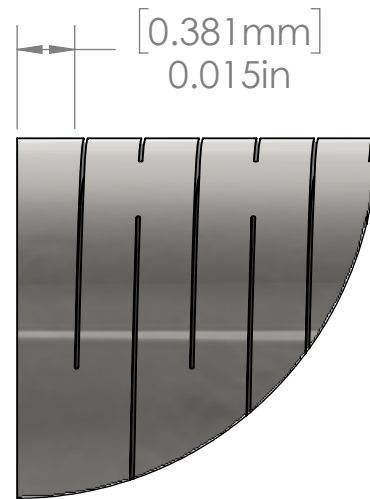
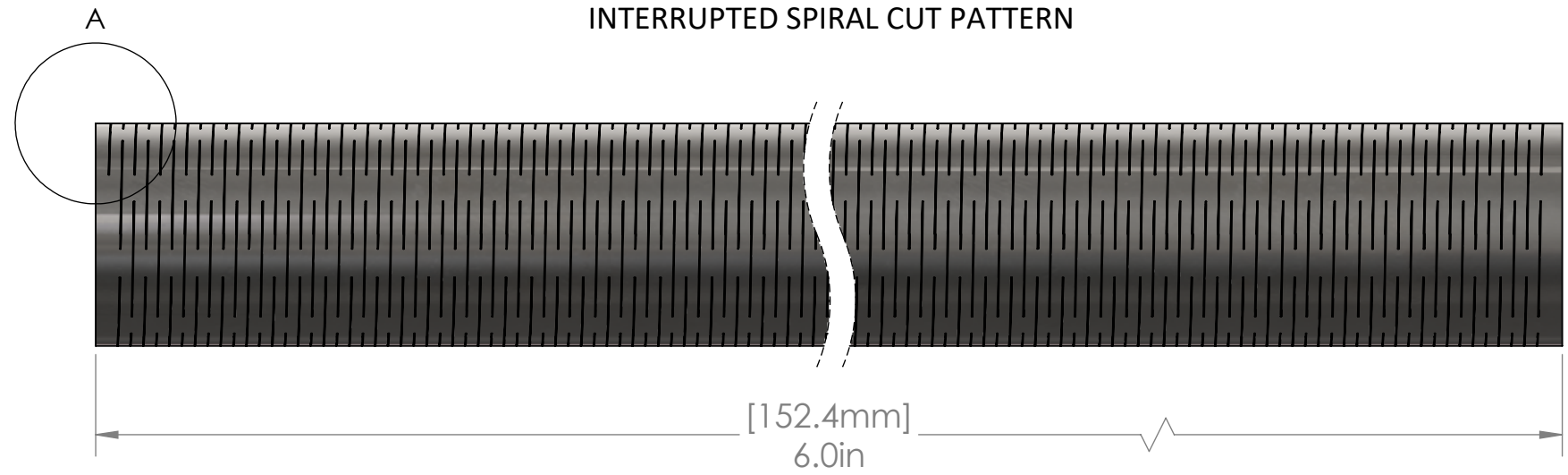
4. PARTS FREE OF OIL, DIRT, CONTAMINATION, ETC.
5. PARTS CLEANED PER ASTM A380
6. PARTS PASSIVATED PER ASTM-A967, NITRIC 2

**PACKAGING**

7. PARTS PACKAGED IN CLEAR, SEALED BAGS
8. PARTS PACKAGED IN A MANNER THAT PREVENTS DAMAGE DURING SHIPPING
9. BAGS TO BE LABELED WITH FOLLOWING INFORMATION:
  - SUPPLIER NAME
  - SUPPLIER LOT NUMBER
  - SUPPLIER PART NUMBER
  - PART QUANTITY

**DOCUMENTATION**

10. CERTIFICATION OF CONFORMANCE TO ACCOMPANY EACH SHIPMENT AND SHALL INCLUDE THE FOLLOWING INFORMATION:
  - SUPPLIER NAME
  - SUPPLIER LOT NUMBER
  - SUPPLIER PART NUMBER
  - PART QUANTITY
  - PO NUMBER
  - MATERIAL INFORMATION
  - CONFORMANCE STATEMENT TO DRAWING



DIMENSIONS ARE IN INCHES, UNLESS OTHERWISE SPECIFIED .X ± .1 .XX ± .01 .XXX ± .001 ANGLES: ± 3° INTERPRET PER LATEST ASME Y14.5 MATERIAL: <b>304 SS</b>	 <b>CONFIDENTIAL AND PROPRIETARY</b> <small>THIS DRAWING CONTAINS CONFIDENTIAL AND PROPRIETARY INFORMATION THAT IS THE SOLE PROPERTY OF SYMMETRY LLC. DISCLOSURE OF SAID INFORMATION DOES NOT CONSTITUTE THE RELEASE OF ANY PROPRIETARY RIGHTS THEREIN</small>	<b>20F LCHT - 0.259 x 0.239 - 0.015</b> <b>Pitch, 65 Cut 15 Uncut (4.5 CPR)</b>				
		<table border="1" style="width: 100%; border-collapse: collapse;"> <tr> <td style="width: 15%; padding: 2px;">SIZE</td> <td style="padding: 2px;">PART NUMBER:</td> </tr> <tr> <td style="text-align: center; padding: 2px;"><b>B</b></td> <td style="text-align: center; padding: 2px;"><b>SY-028260</b></td> </tr> </table>	SIZE	PART NUMBER:	<b>B</b>	<b>SY-028260</b>
SIZE	PART NUMBER:					
<b>B</b>	<b>SY-028260</b>					
		<table border="1" style="width: 100%; border-collapse: collapse;"> <tr> <td style="width: 33%; padding: 2px;">DO NOT SCALE</td> <td style="width: 33%; padding: 2px;">SCALE 5:1</td> <td style="width: 33%; padding: 2px;">SHEET 1 OF 1</td> </tr> </table>	DO NOT SCALE	SCALE 5:1	SHEET 1 OF 1	
DO NOT SCALE	SCALE 5:1	SHEET 1 OF 1				